

6

5

4

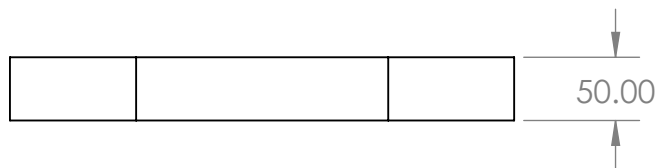
3

2

1

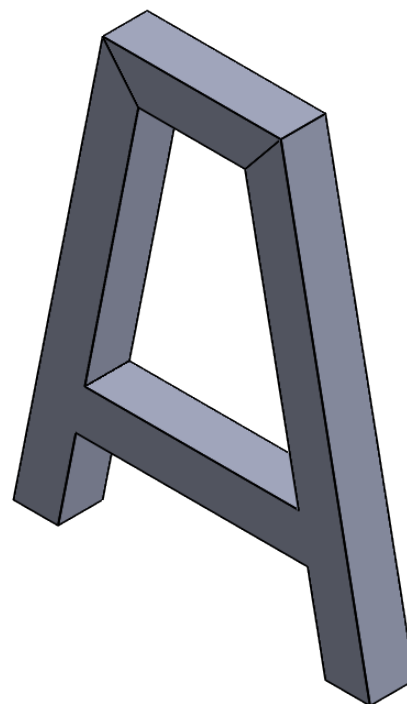
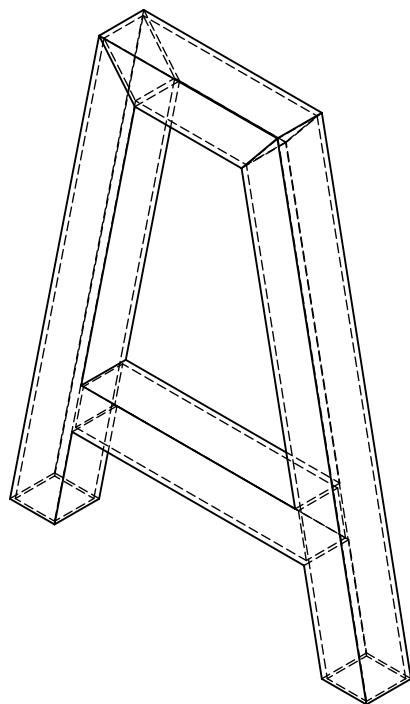
D

D



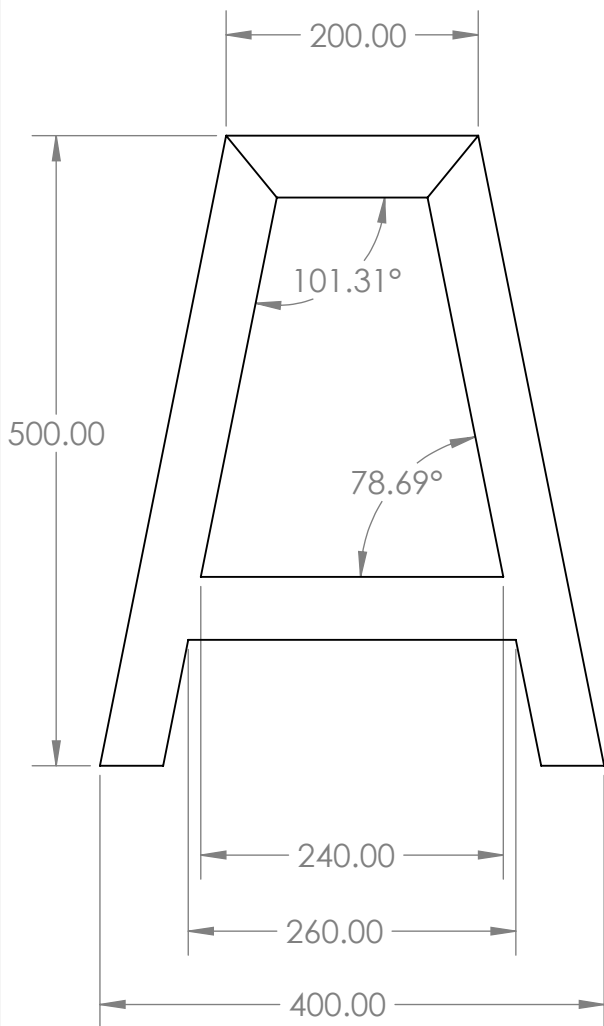
C

C



B

B



A

A

UNLESS OTHERWISE SPECIFIED: DIMENSIONS ARE IN MILLIMETERS SURFACE FINISH: TOLERANCES: LINEAR: ANGULAR:			FINISH:		DEBURR AND BREAK SHARP EDGES		DO NOT SCALE DRAWING		REVISION		
DRAWN			NAME		SIGNATURE		DATE		TITLE: A-FRAME		
CHK'D											
APPV'D											
MFG											
Q.A							MATERIAL: MILD STEEL		DWG NO.		A4
							WEIGHT:		SCALE:1:5		SHEET 1 OF 1

6

5

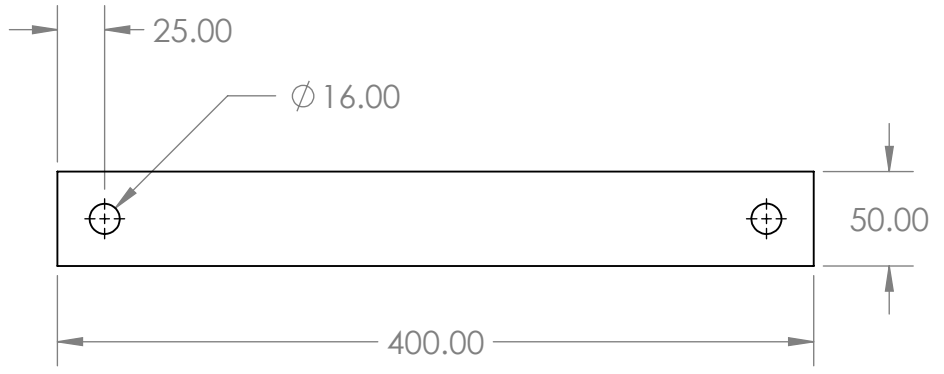
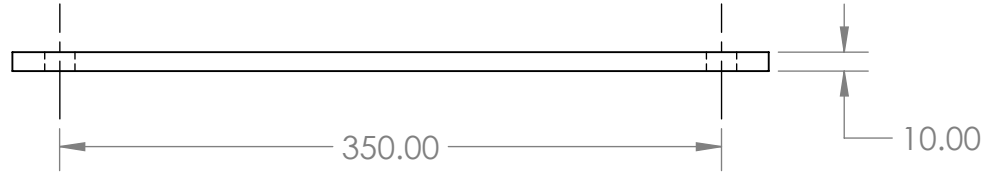
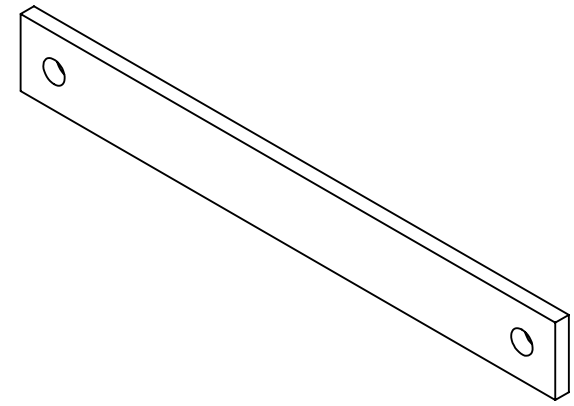
4

3

2

1

6 5 4 3 2 1



UNLESS OTHERWISE SPECIFIED: DIMENSIONS ARE IN MILLIMETERS SURFACE FINISH: TOLERANCES: LINEAR: ANGULAR:				FINISH:		DEBURR AND BREAK SHARP EDGES		DO NOT SCALE DRAWING		REVISION			
								LEVELING PLATE					
DRAWN		NAME		SIGNATURE		DATE						TITLE:	
CHK'D													
APPV'D													
MFG													
Q.A								MATERIAL:		DWG NO.			
								MILD STEEL		A4			
								WEIGHT:		SCALE:1:5			
										SHEET 1 OF 1			

6 5 4 3 2 1

D
C
B
A

D
C
B
A

6

5

4

3

2

1

D

D

C

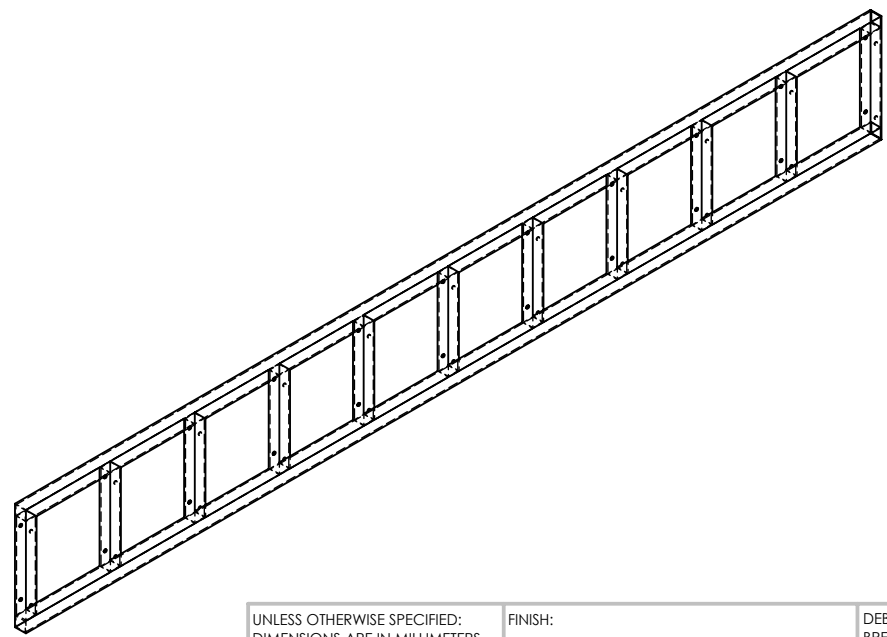
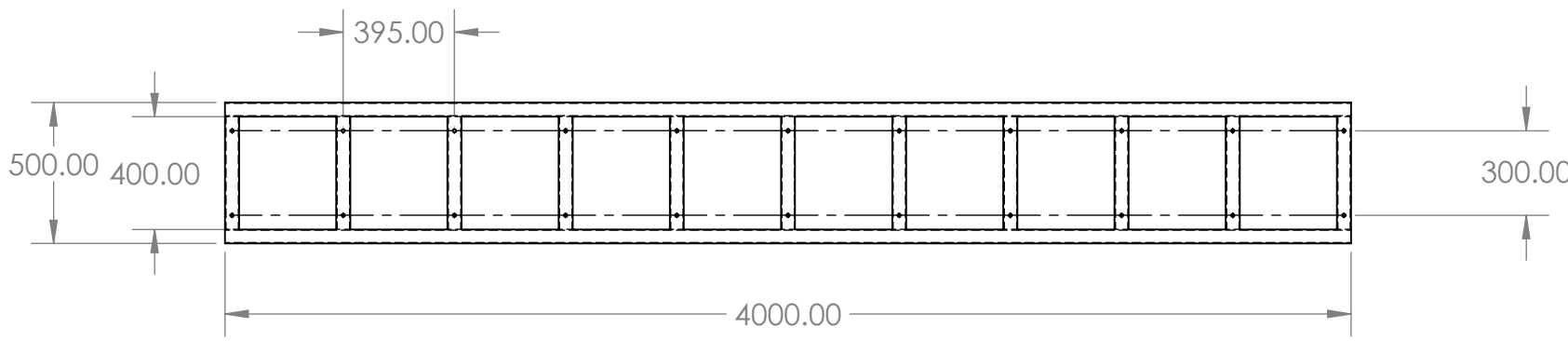
C

B

B

A

A



UNLESS OTHERWISE SPECIFIED: DIMENSIONS ARE IN MILLIMETERS SURFACE FINISH: TOLERANCES: LINEAR: ANGULAR:			FINISH:		DEBURR AND BREAK SHARP EDGES		DO NOT SCALE DRAWING		REVISION				
							LADDER FRAME-4M						
DRAWN			NAME		SIGNATURE							DATE	
CHK'D													
APPV'D													
MFG													
Q.A							MATERIAL: MILD STEEL		DWG NO.				
							WEIGHT:		SCALE:1:50		SHEET 1 OF 1		
									A4				

6

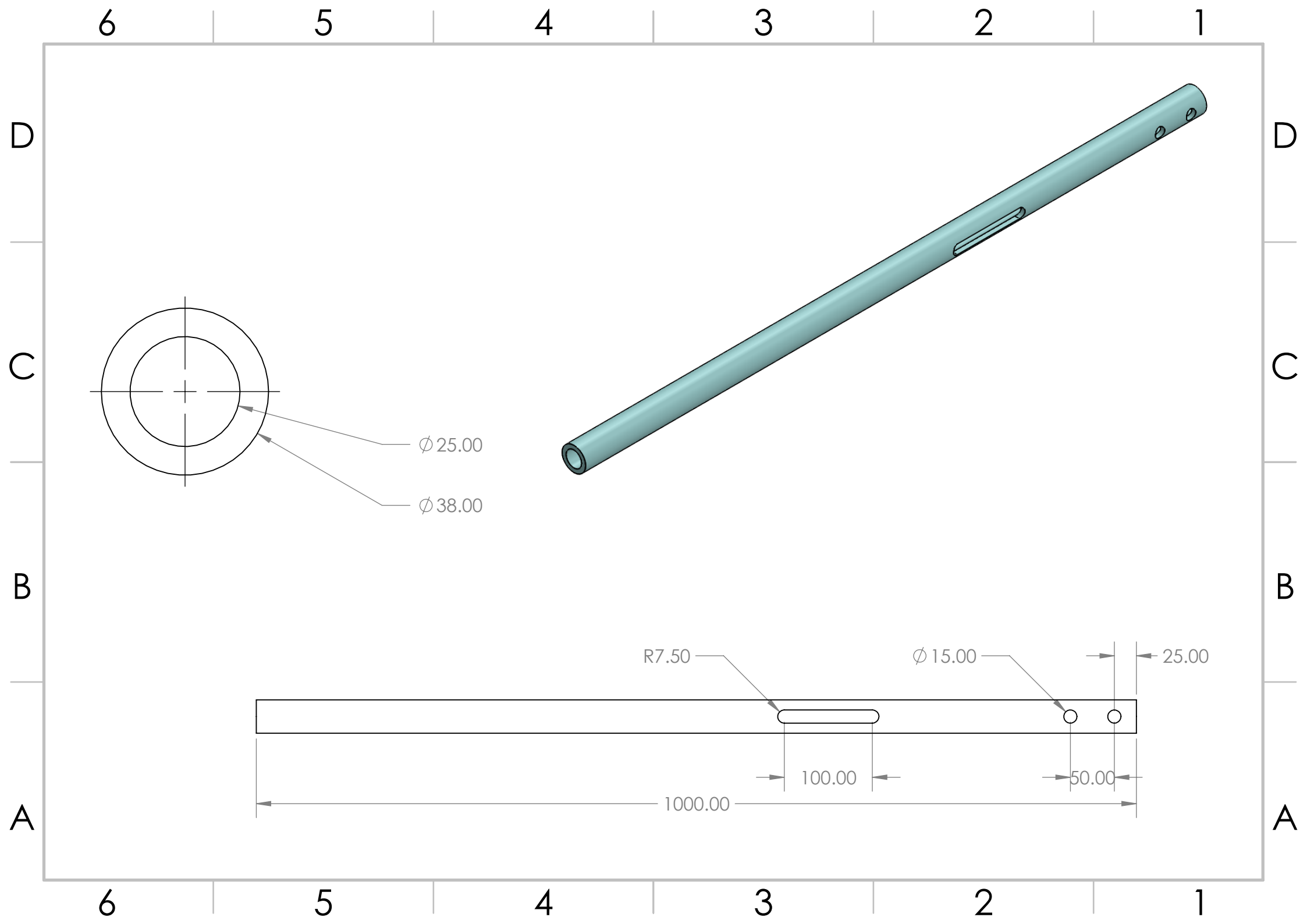
5

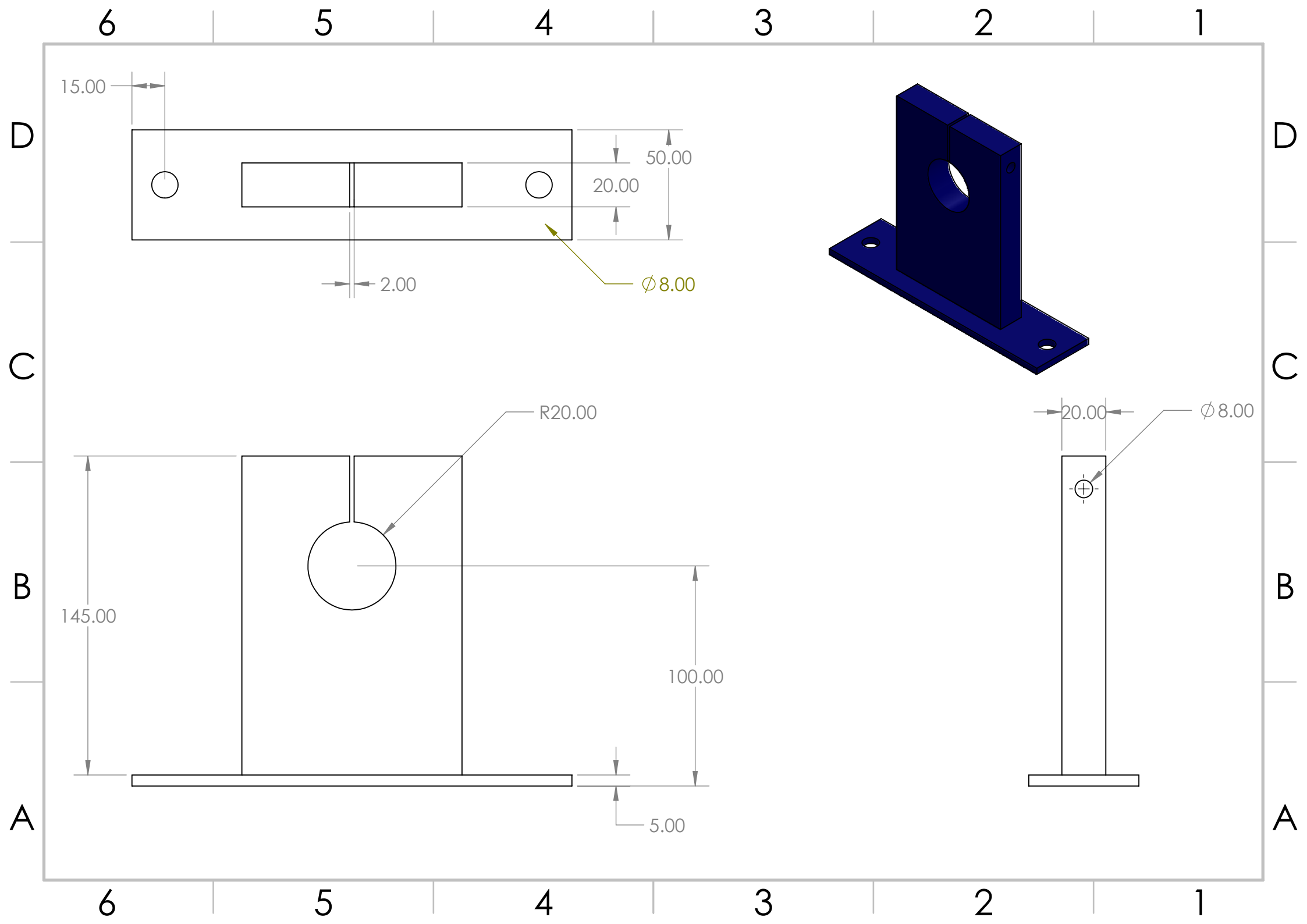
4

3

2

1





6

5

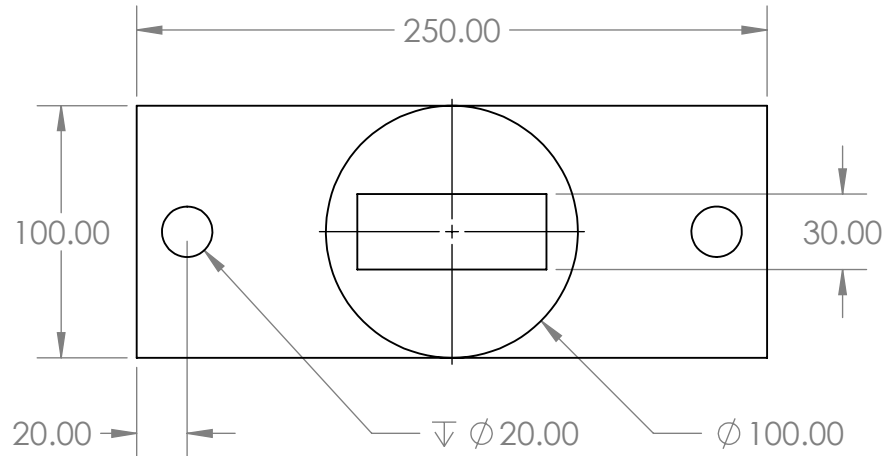
4

3

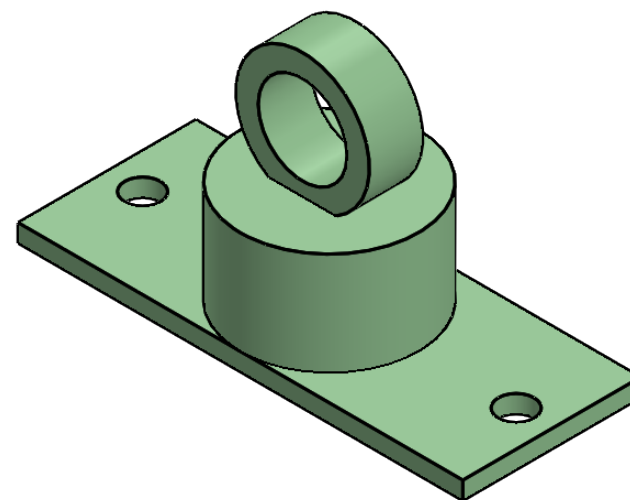
2

1

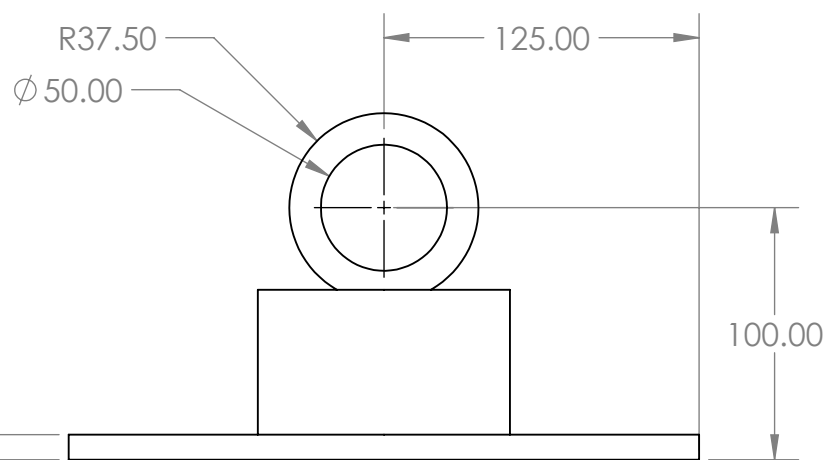
D



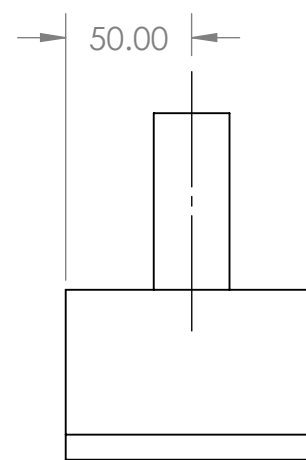
D



C



C



B

B

10.00

A

A

6

5

4

3

2

1